



**CHEVROLET CORVETTE
EQUIPMENT & PRICELIST**

APRIL 2024



CHEVROLET CORVETTE STINGRAY



Z51 PERFORMANCE PACKAGE

THE PINNACLE OF PERFORMANCE

The architecture, structure, suspension, calibrations and software of Stingray are all ready to deliver a driving experience beyond your imagination. To reach the pinnacle, all European Corvette Stingray come standard with the Z51 Performance Package, which provides a group of performance enhancements, including:

- Z51 performance suspension
- Z51 performance Brembo® brakes
- Michelin® Pilot® Sport 4S, 245/35ZR19 front and 305/30ZR20 rear, high performance, run-flat, summer-only tires*
- Electronic Limited Slip Differential (eLSD)
- Performance exhaust
- Performance rear axle ratio
- Heavy-duty cooling system
- Z51 rear spoiler in body color
- Z51 front splitter



* Do not use summer-only tires in winter conditions, as it would adversely affect vehicle safety, performance and durability. Use only GM-approved tire and wheel combinations. Unapproved combinations may change the vehicle's performance characteristics. For important tire and wheel information, please contact your AECVS Representative or official dealer. Low-profile tires wear faster, and wheel and tire damage may occur on rough or damaged roads from surfaces or kerbs, debris or obstacles. This damage may not be covered by the GM New Vehicle Limited Warranty and/or AECVS Premium Warranty. Wheels shown are not included within the Z51 package.

CHEVROLET CORVETTE Z06



Z07 PERFORMANCE PACKAGE

**GO FASTER. STOP BETTER.
TURN HARDER.**

Enhance the driving experience of your Corvette Z06 to a track dominating machine with the available Z07 Performance Package. Upgraded tires, brakes and aerodynamics bring you closer to true racecar performance.

J57	Carbon ceramic 4-wheel antilock disc brakes
J6D	Dark Gray Metallic-painted brake calipers
FE7	Z07 Suspension with Magnetic Selective Ride Control™
XFS	275/30ZR20 and 345/25ZR21 rear Michelin® Pilot® Super Sport Cup 2R ultra-high performance summer-only tires*
CFZ+TOF or CFV+TOG	Requires Carbon Flash-painted carbon-fiber ground effects (CFZ) and Carbon Aero - Carbon Fiber (TOF) or visible carbon-fiber ground effects (CFV) and Carbon Aero - Visible Carbon Fiber (TOG)

* Do not use summer-only tires in winter conditions, as it would adversely affect vehicle safety, performance and durability. Use only GM-approved tire and wheel combinations. Unapproved combinations may change the vehicle's performance characteristics. For important tire and wheel information, please contact your AECVS Representative or official dealer. Low-profile tires wear faster, and wheel and tire damage may occur on rough or damaged roads from surfaces or kerbs, debris or obstacles. This damage may not be covered by the GM New Vehicle Limited Warranty and/or AECVS Premium Warranty.

Due to European regulations the mid exhaust set-up as shown is not available for the European market.



SUGGESTED RETAIL NET PRICE	COUPE			CONVERTIBLE		
	2LT	3LT	3LZ	2LT	3LT	3LZ
	€ 92.429	€ 95.790	€ 159.655	€ 98.299	€ 101.669	€ 165,539

AECSV NET PRICES INCLUDE:

- 36-Months GM Europe Factory Warranty
- Certificate of Conformity (CoC)
- AECSV Roadside Assistance
- AECSV Goodie Bag
- Warranty/Service Booklet

ENGINE	CORVETTE STINGRAY	CORVETTE Z06
Engine	6,2 L V8 direct-injection petrol engine with variable valve timing and Active Fuel Management (cylinder deactivation technology)	5.5L, LT6 DOHC, V8 direct injection petrol engine
Transmission	8-speed, dual-clutch transmission	8-speed, dual-clutch transmission
Fuel type	Petrol	Petrol
Displacement	6.162 cm ³	5.463 cm ³
Bore	103,25 mm	104,25 mm
Stroke	92,0 mm	80,0 mm
Compression ratio	11,5 : 1	12,5 : 1
Power output	354 kW/482 hp @ 6.450 rpm	475kW/646 hp @ 8.550 rpm
Torque	613 Nm @ 4.500 rpm	595 Nm @ 6.300 rpm
Acceleration, 0-100 km/h	3,5 sec*	3,1 sec**
Valvetrain	Pushrod-operated overhead valves, 2 valves per cylinder, variable valve timing	Dual overhead camshafts, four valves per cylinder, dual-independent camshaft phasing
Oiling system	Dry sump-type, includes oil-spray piston cooling	Six stage dry sump includes oil-spray piston cooling

FUEL CONSUMPTION & CO ₂ EMISSIONS (WLTP) ⁺	CORVETTE STINGRAY	CORVETTE Z06
Emission Norm	Euro 6d	Euro 6d
CO ₂ Class	G	G
Fuel consumption, combined	12,8L/100km	16,5L/100km
CO ₂ emissions, combined	293g/km	377g/km

*Based on initial vehicle movement. Requires available Z51 Performance Package. **Based on initial vehicle movement. Requires available Z07 Performance Package. +Advertised data refers to MY23 official data from GM. MY24 Corvette data may vary from the advertised data and will be published once available.

Information is provided based on current data availability and could include technical, typographical errors or errors of any kind. AEC Specialty Vehicles Ltd. does not guarantee the validity, accuracy, completeness, availability, and attainability of the information contained in this entire document, and therefore cannot be held legally responsible for it. AEC Specialty Vehicles Ltd reserves the right to change and/or update product specifications, pricing, and equipment at any time without incurring in obligations.

CHASSIS & SUSPENSION	CODE	CORVETTE STINGRAY	CORVETTE Z06
Drive Axle		Rear-wheel drive	Rear-wheel drive
Steering		Variable-ratio rack-and-pinion with electric power assist; includes Active Steer Stops with available Magnetic Selective Ride Control	Variable-ratio rack-and-pinion with electric power assist; includes Active Steer Stops
Suspension		Short / long arm (SLA) double wishbone, forged aluminum upper and cast aluminum L shape lower control arms; monotube shock absorbers (46mm)	Short / long arm (SLA) double wishbone, forged aluminum upper and cast aluminum L shape lower control arms; monotube shock absorbers (46mm)
Brakes		Front and rear e-boost-assisted discs with Brembo four-piston monobloc caliper	4-wheel antilock, 4-wheel disc, performance 6-piston front and 4-piston rear
Launch Control		•	•
Driver Mode Selector		•	•
Active handling stability control with traction control		•	•
Magnetic Selective Ride Control™ suspension with Performance Traction Management	FE4	€ 2,199	-
Suspension performance with Magnetic Selective Ride Control™	FE6	-	•

EQUIPMENT	CODE	COUPE			CONVERTIBLE		
		2LT	3LT	3LZ	2LT	3LT	3LZ

CONVENIENCE

Dual-zone automatic climate control with individual climate settings for driver and passenger		•	•	•	•	•	•
Air filtration system with pollen filter		•	•	•	•	•	•
Power rake and telescopic steering column		•	•	•	•	•	•
Automatic heated steering wheel		•	•	•	•	•	•
Steering-wheel-mounted paddle shift controls		•	•	•	•	•	•
Steering wheel controls for audio, phone, Cruise Control and Driver Information Center		•	•	•	•	•	•
Memory Package - Steering wheel, outside mirrors and seat memory for driver and passenger		•	•	•	•	•	•
Rear Camera Mirror		•	•	•	•	•	•
HD front and rear vision cameras, front camera with curb view		•	•	•	•	•	•
Ultrasonic Rear Parking Assist ¹		•	•	•	•	•	•
Front lift with memory ²	E60	€ 1,779	€ 1,779	€ 1,779	€ 1,779	€ 1,779	€ 1,779
Cruise Control		•	•	•	•	•	•
Full-color Head-Up Display, configurable		•	•	•	•	•	•
Driver and passenger power windows with express-up and -down		•	•	•	•	•	•
Headlamps, automatic on/off with tunnel detection		•	•	•	•	•	•
Automatic headlamp leveling system		•	•	•	•	•	•
Performance Data Recorder ³		•	•	•	•	•	•
Keyless access, push-button start		•	•	•	•	•	•
Valet Mode		•	•	•	•	•	•
Battery protection package ⁴	ERI	€ 90	€ 90	€ 90	€ 90	€ 90	€ 90
Cargo nets		•	•	•	•	•	•

¹ Availability of this feature may be limited and only given at a later stage. ² The front lift raises the front of the vehicle approximately 50 mm in less than 3 seconds at lower speeds (up to 24 mph) and remembers up to 1'000 GPS locations.

³ The driver has to ensure compliance with privacy law and other applicable laws when using the PDR System. Such laws may in particular restrict or exclude the use of the PDR-System on public streets.

⁴ Includes a device to charge and condition the car battery, helping maintain optimum functionality when parked for long periods.

• Standard ○ Available - Not available

EQUIPMENT	CODE	COUPE			CONVERTIBLE		
		2LT	3LT	3LZ	2LT	3LT	3LZ

SEATING COMFORT

Heated and ventilated driver and passenger seats		•	•	•	•	•	•
8-way power-adjustable driver seat		•	•	•	•	•	•
8-way power-adjustable passenger seat		•	•	•	•	•	•
2-way power lumbar adjuster, driver seat		•	•	•	•	•	•
2-way power lumbar adjuster, passenger seat		•	•	•	•	•	•
Driver seat with power-adjustable seatback side bolsters		•	•	•	•	•	•
Passenger seat with power-adjustable seatback side bolsters		•	•	•	•	•	•

AUDIO & COMMUNICATION

Driver Information Center with configurable high-resolution 12" color display		•	•	•	•	•	•
Chevrolet Premium Infotainment System with navigation, 8" HD color touchscreen, voice recognition, USB ports, auxiliary audio port and SD card reader ⁵		•	•	•	•	•	•
Bose® Performance Series Sound System with 14 speakers and Active Noise Cancellation technology		•	•	•	•	•	•
Digital Audio Broadcast, DAB/DAB+/DMB-R		•	•	•	•	•	•
Wireless mobile phone charging ⁶		•	•	•	•	•	•
Smartphone integration via Apple CarPlay™ and Android Auto™ ⁷		•	•	•	•	•	•
Near Field Communication		•	•	•	•	•	•

SAFETY & SECURITY

Side Blind Zone Alert		•	•	•	•	•	•
Rear Cross-Traffic Alert		•	•	•	•	•	•
Theft deterrent system, unauthorized entry		•	•	•	•	•	•
Theft deterrent sensor, body security content		•	•	•	•	•	•
Theft deterrent sensor, vehicle inclination		•	•	•	•	•	•
Theft deterrent sensor, vehicle interior movement		•	•	•	•	•	•
Self-powered theft deterrent alarm system		•	•	•	•	•	•
Steering column lock		•	•	•	•	•	•
Airbags: driver and passenger, frontal and side impact with Passenger Sensing System		•	•	•	•	•	•
Automatic emergency call		•	•	•	•	•	•
Thatcham approved locking wheel nuts		•	•	•	•	•	•

⁵ Voice recognition is available in the following languages: English, French, German, Dutch, Italian, Polish, Danish, Portuguese, Spanish, Turkish and Russian. ⁶ The system wirelessly charges one PMA- or Qi- compatible mobile device. Mobile phone must support wireless charging for functionality. ⁷ Vehicle user interfaces are products of Apple and Google and their terms and privacy statements apply. Requires compatible smartphone and data plan rates apply. Android Auto™ requires a smartphone running Android Lollipop 5.0 OS or above; Apple CarPlay™ requires an iPhone 5 or later. Full lists of supported apps are available at Apple.com/ios/carplay and Android.com/auto. Please note that availability of apps may vary by market.

• Standard ○ Available – Not available

EXTERIOR OPTIONS	CODE	COUPE			CONVERTIBLE		
		2LT	3LT	3LZ	2LT	3LT	3LZ
Engine Appearance Package with carbon-fiber closeout panels	ZZ3	-	-	-	€ 725	€ 725	€ 725
Carbon Flash accents package - Rear spoiler and outside mirrors	ZYC	€ 1.375	€ 1.375	€ 1.375	€ 1.375	€ 1.375	€ 1.375
Exterior badges in chrome	EYK	€ 275	€ 275	€ 275	€ 275	€ 275	€ 275
Carbon Flash nacelles and body-color roof ⁸	D86	-	-	-	€ 549	€ 549	€ 549
Carbon Flash nacelles and roof	D84	-	-	-	€ 1.375	€ 1.375	€ 1.375
Transparent roof panel ⁹	CC3	€ 869	€ 869	€ 869	-	-	-
Visible carbon fiber roof panel with body-color surround ⁹	C2Z	€ 1.690	€ 1.690	€ 1.690	-	-	-
Red-painted intake manifold	BCW	-	€ 549	€ 549	-	€ 549	€ 549



Body-color roof panel (standard)



Transparent roof panel (CC3)



Visible carbon fiber roof panel with body-color surround (C2Z)



Standard



Carbon Flash nacelles and body-color roof (D86)



Carbon Flash nacelles and roof (D84)

⁸ Not available with exterior color Black.

⁹ Removable, stores securely in the rear trunk.

• Standard ○ Available - Not available

WHEELS	CODE	COUPE			CONVERTIBLE		
		2LT	3LT	3LZ	2LT	3LT	3LZ
20" x 10" front and 21" x 13" rear Spider design, Black forged aluminum	S0A	-	-	€ 869	-	-	€ 869
20" x 10" front and 21" x 13" rear Spider design, Satin Graphite forged aluminum	S0C	-	-	€ 869	-	-	€ 869
20" x 10" front and 21" x 13" rear Spider design, machined-face forged aluminum	S0D	-	-	€ 1.329	-	-	€ 1.329
20" x 10" front and 21" x 13" rear Spider design, Titanium Satin forged aluminum	S0E	-	-	•	-	-	•
20" x 10" front and 21" x 13" rear Carbon Flash-painted carbon fiber (Requires J57 carbon ceramic brakes. Not available with TOG Carbon Aero, visible carbon fiber)	R0Y	-	-	€ 9.059	-	-	€ 9.059
20" x 10" front and 21" x 13" rear visible carbon fiber with Red stripe (Requires J57 carbon ceramic brakes)	STZ	-	-	€ 11.789	-	-	€ 11.789
19" x 8.5" front and 20" x 11" rear 5-open-spoke Bright Silver-painted aluminum	Q8P	•	•	-	•	•	-
19" x 8.5" front and 20" x 11" rear 5-open-spoke Carbon Flash-painted aluminum with machined edge	Q8Q	€ 869	€ 869	-	€ 869	€ 869	-
19" x 8.5" front and 20" x 11" rear 20-spoke bright machined-face forged aluminum	Q99	€ 1.825	€ 1.825	-	€ 1.825	€ 1.825	-
19" x 8.5" front and 20" x 11" rear 20-spoke Midnight Gray forged aluminum with Red stripe	Q9A	€ 1.825	€ 1.825	-	€ 1.825	€ 1.825	-
19" x 8.5" front and 20" x 11" rear 20-spoke Gloss Black forged aluminum	Q9I	€ 1.329	€ 1.329	-	€ 1.329	€ 1.329	-
19" x 8.5" front and 20" x 11" rear 5-split-spoke Satin Graphite with machined edge forged aluminum	Q90	€ 1.825	€ 1.825	-	€ 1.825	€ 1.825	-
19" x 8.5" front and 20" x 11" rear 5-split-spoke machined-face Sterling Silver-painted forged aluminum	Q9Y	€ 1.825	€ 1.825	-	€ 1.825	€ 1.825	-



5-open-spoke Bright Silver-painted aluminum wheels: 19" x 8,5" J front and 20" x 11" J rear (Q8P)



5-open-spoke Carbon Flash-painted aluminum wheels with machined edge: 19" x 8,5" J front and 20" x 11" J rear (Q8Q)



20-spoke gloss Black-painted forged aluminum wheels: 19" x 8,5" J front and 20" x 11" J rear (Q9I)



20-spoke bright machined-face After Midnight-painted forged aluminum wheels: 19" x 8,5" J front and 20" x 11" J rear (Q99)

BRAKE CALIPERS	CODE	COUPE			CONVERTIBLE		
		2LT	3LT	3LZ	2LT	3LT	3LZ
Black-painted brake calipers	J6A	•	•	•	•	•	•
Bright Red-painted brake calipers	J6F	€ 549	€ 549	€ 549	€ 549	€ 549	€ 549
Edge Red-painted brake calipers	J6N	€ 549	€ 549	€ 549	€ 549	€ 549	€ 549
Edge Yellow-painted brake calipers	J6E	€ 549	€ 549	€ 549	€ 549	€ 549	€ 549
Metallic Gray-painted brake calipers (available only with J57 Ceramic Brake Rotors)	J6D	-	-	○	-	-	○
Orange-painted brake calipers	J6L	-	-	€ 549	-	-	€ 549



Black-painted brake calipers (J6A)



Bright Red-painted brake calipers (J6F)



Edge Red-painted brake calipers (J6N)



Edge Yellow-painted brake calipers (J6E)

• Standard ○ Available - Not available

DECALS	CODE	COUPE			CONVERTIBLE		
		2LT	3LT	3LZ	2LT	3LT	3LZ
		Carbon Flash full length dual racing stripes	DTH	€ 725	€ 725	€ 725	€ 725
Sterling Silver full length dual racing stripes	DUB	€ 725	€ 725	€ 725	€ 725	€ 725	€ 725
Edge Red full length dual racing stripes ¹⁰	DSZ	€ 725	€ 725	+	€ 725	€ 725	+
Edge Blue full length dual racing stripes ¹²	DUW	€ 725	€ 725	€ 725	€ 725	€ 725	€ 725
Midnight Silver/Carbon Flash hood stinger stripe	DZV	€ 360	€ 360	€ 360	€ 360	€ 360	€ 360
Edge Red/Carbon Flash stinger hood stinger stripe ¹⁰	DZX	€ 360	€ 360	€ 360	€ 360	€ 360	€ 360
Edge Yellow/Carbon Flash stinger hood stinger stripe ¹¹	DZU	€ 360	€ 360	€ 360	€ 360	€ 360	€ 360



Carbon Flash full length dual racing stripes (DTH)



Sterling Silver full length dual racing stripes (DUB)



Edge Red full length dual racing stripes (DSZ)



Edge Blue full length dual racing stripes (DUW)



Midnight Silver/Carbon Flash stinger hood stripe (DZV)



Edge Red/Carbon Flash stinger hood stripe (DZX)



Edge Yellow/Carbon Flash stinger hood stripe (DZU)

¹⁰ Not available with exterior colors Torch Red and Tactical Red Tintcoat.

¹¹ Not available with exterior color Accelerate Yellow Metallic.

¹² Not available with exterior color Rapid Blue.

• Standard ○ Available – Not available + Late availability

INTERIOR OPTIONS	CODE	COUPE			CONVERTIBLE		
		2LT	3LT	3LZ	2LT	3LT	3LZ
Adrenaline Red custom leather stitching	38S	-	€ 725	€ 725	-	€ 725	€ 725
Yellow custom leather stitching	36S	-	€ 725	€ 725	-	€ 725	€ 725
Carbon fiber interior trim - Cluster-surround and console/door switch plates	FA5	€ 1.375	€ 1.375	€ 1.375	€ 1.375	€ 1.375	€ 1.375
Carbon fiber interior trim - Cluster-surround, console/door switch inserts and instrument panel	FA6	-	-	€ 3.165	-	-	€ 3.165
Stealth aluminum interior trim, dark finish	BAZ	€ 549	€ 549	€ 549	€ 549	€ 549	€ 549
Black seat belts	719	•	•	•	•	•	•
Tan seat belts	3N9	€ 360	€ 360	€ 360	€ 360	€ 360	€ 360
Torch Red seat belts	3F9	€ 360	€ 360	€ 360	€ 360	€ 360	€ 360
Yellow seat belts	3M9	€ 360	€ 360	€ 360	€ 360	€ 360	€ 360
Orange seat belts	379	€ 360	€ 360	€ 360	€ 360	€ 360	€ 360
Tension Blue seat belts	3A9	€ 360	€ 360	€ 360	€ 360	€ 360	€ 360



Black seat belts (719)



Tan seat belts (3N9)



Torch Red seat belts (3F9)



Yellow seat belts (3M9)



Orange seat belts (379)



Tension Blue seat belts (3A9)

• Standard ○ Available - Not available

EXTERIOR COLORS	CODE	COUPE			CONVERTIBLE		
		2LT	3LT	3LZ	2LT	3LT	3LZ
Black	GBA	•	•	•	•	•	•
Arctic White	G8G	•	•	•	•	•	•
Torch Red	GKZ	•	•	•	•	•	•
Cacti Green	GVR	•	•	•	•	•	•
Silver Flare Metallic	GSJ	€1.099	€1.099	€1.099	€1.099	€1.099	€1.099
Hypersonic Gray Metallic	GA7	€1.099	€1.099	€1.099	€1.099	€1.099	€1.099
Accelerate Yellow Metallic	GDO	€1.099	€1.099	€1.099	€1.099	€1.099	€1.099
Rapid Blue	GMO	€1.099	€1.099	€1.099	€1.099	€1.099	€1.099
Ceramic Matrix Gray Metallic	G9F	€1.099	€1.099	€1.099	€1.099	€1.099	€1.099
Amplify Orange Tintcoat	GC5	€2.010	€2.010	€2.010	€2.010	€2.010	€2.010
Red Mist Metallic Tintcoat	GPH	€2.010	€2.010	€2.010	€2.010	€2.010	€2.010
Riptide Blue Metallic	GJV	€1.099	€1.099	€1.099	€1.099	€1.099	€1.099
Carbon Flash Metallic	GAR	€1.099	€1.099	€1.099	€1.099	€1.099	€1.099
Sea Wolf Gray Tricoat	GXA	€2.010	€2.010	€2.010	€2.010	€2.010	€2.010



Black (GBA)



Arctic White (G8G)



Torch Red (GKZ)



Cacti Green (GVR)



Silver Flare Metallic (GSJ)



Hypersonic Gray Metallic (GA7)



Accelerate Yellow Metallic (GDO)



Rapid Blue (GMO)



Ceramic Matrix Gray Metallic (G9F)



Amplify Orange Tintcoat (GC5)



Red Mist Metallic Tintcoat (GPH)



Riptide Blue Metallic (GJV)



Carbon Flash Metallic (GAR)



Sea Wolf Gray Tricoat (GXA)

• Standard ○ Available — Not available

SEATING OPTIONS	CODE	COUPE			CONVERTIBLE		
		2LT	3LT	3LZ	2LT	3LT	3LZ
GT1 bucket seats	AQ9	•	-	-	•	-	-
GT2 bucket seats	AH2	€ 2.010	•	•	€ 2.010	•	•
Competition Sport bucket seats	AE4	€ 2.663	€ 910	€ 910	€ 2.663	€ 910	€ 910
Two-tone seats	TU7	€ 359	€ 359	€ 359	€ 359	€ 359	€ 359



Jet Black (HTE)



Sky Cool Gray (HU1)



Natural (HUE)



Adrenaline Red (HUR)



Tension/Twilight Blue (HT0)

INTERIOR TRIMS	CODE	REQUIRED SEAT OPTION	AVAILABLE SEAT ACCENTS	COUPE			CONVERTIBLE		
				2LT	3LT	3LZ	2LT	3LT	3LZ
Jet Black Mulan leather seating surfaces with perforated inserts	HTA	AQ9		•	-	-	•	-	-
Adrenaline Red Mulan leather seating surfaces with perforated inserts	HUR	AQ9		•	-	-	•	-	-
Natural Mulan leather seating surfaces with perforated inserts	HUV	AQ9		•	-	-	•	-	-
Sky Cool Gray Mulan leather seating surfaces with perforated inserts	HUN	AQ9		•	-	-	•	-	-
Jet Black Nappa leather seating surfaces with perforated inserts	HTM	AQ9		•	-	-	•	-	-
Adrenaline Red Nappa leather seating surfaces with perforated inserts	HUL	AH2 or AE4	TU7	•	-	-	•	-	-
Natural Nappa leather seating surfaces with perforated inserts	HTN	AH2 or AE4	TU7	•	-	-	•	-	-
Sky Cool Gray Nappa leather seating surfaces with perforated inserts	HUK	AH2 or AE4	TU7	•	-	-	•	-	-
Dipped Adrenaline Red Nappa leather seating surfaces with perforated inserts	HNK	AE4		-	•	•	-	•	•
Jet Black Nappa leather seating surfaces with perforated inserts	HTE	AH2 or AE4	36S or 38S	-	•	•	-	•	•
Adrenaline Red Nappa leather seating surfaces with perforated inserts	HU2	AH2 or AE4	TU7	-	•	•	-	•	•
Adrenaline Red interior and Jet Black Nappa leather seating surfaces with perforated inserts	HUU	AH2 or AE4		-	•	•	-	•	•
Natural Nappa leather seating surfaces with perforated inserts	HUE	AH2 or AE4	TU7	-	•	•	-	•	•
Sky Cool Gray Nappa leather seating surfaces with perforated inserts	HU1	AH2 or AE4	TU7	-	•	•	-	•	•
Natural Dipped Nappa leather seating surfaces with perforated inserts	HZN	AH2 or AE4		-	•	•	-	•	•
Twilight Blue / Tension Blue Dipped Nappa leather seating surfaces with perforated inserts	HT0	AH2 or AE4		-	•	•	-	•	•

• Standard ○ Available - Not available

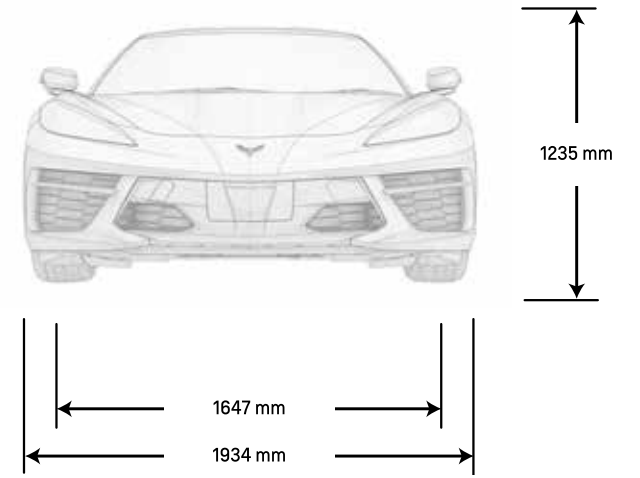
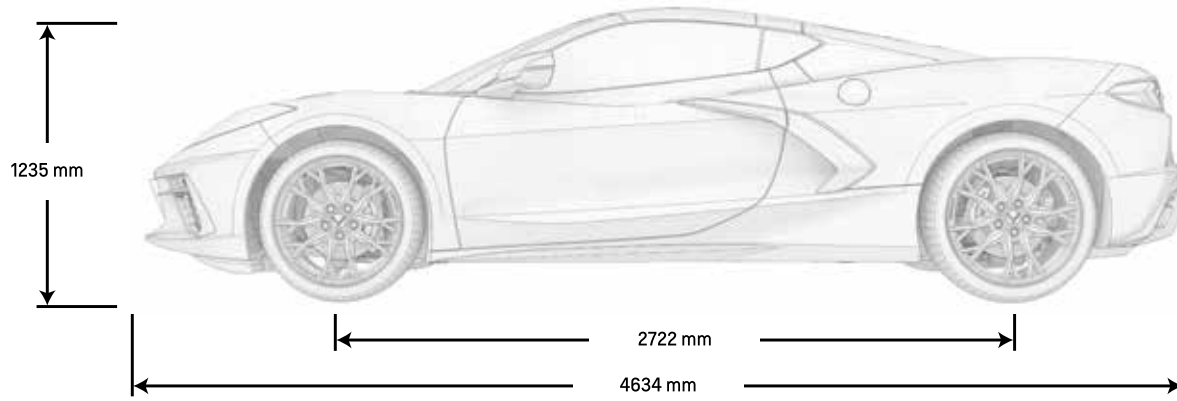
INTERIOR TRIMS	CODE	REQUIRED SEAT OPTION	AVAILABLE SEAT ACCENTS	COUPE			CONVERTIBLE		
				2LT	3LT	3LZ	2LT	3LT	3LZ
Jet Black Nappa leather seating surfaces with perforated sueded microfiber inserts	HTP	AH2 or AE4		•	-	-	•	-	-
Adrenaline Red Nappa leather seating surfaces with perforated sueded microfiber inserts	HU7	AH2 or AE4	TU7	•	-	-	•	-	-
Natural Nappa leather seating surfaces with perforated sueded microfiber inserts	HTQ	AH2 or AE4	TU7	•	-	-	•	-	-
Sky Cool Gray Nappa leather seating surfaces with perforated sueded microfiber inserts	HU6	AH2 or AE4	TU7	•	-	-	•	-	-
Jet Black Nappa leather seating surfaces with perforated sueded microfiber inserts	HTT	AH2 or AE4	36S or 38S	-	€ 1.019	€ 1.019	-	€ 1.019	€ 1.019
Adrenaline Red Nappa leather seating surfaces with perforated sueded microfiber inserts	HUA	AH2 or AE4	TU7	-	€ 1.019	€ 1.019	-	€ 1.019	€ 1.019
Natural Nappa leather seating surfaces with perforated sueded microfiber inserts	HTG	AH2 or AE4	TU7	-	€ 1.019	€ 1.019	-	€ 1.019	€ 1.019
Sky Cool Gray leather seating surfaces with perforated sueded microfiber inserts	HU9	AH2 or AE4	TU7	-	€ 1.019	€ 1.019	-	€ 1.019	€ 1.019
Natural Dipped Nappa leather seating surfaces with perforated sueded microfiber inserts	HUF	AH2 or AE4		-	€ 1.019	€ 1.019	-	€ 1.019	€ 1.019

EQUIPMENT	CODE	RESTRICTION	COUPE			CONVERTIBLE		
			2LT	3LT	3LZ	2LT	3LT	3LZ
Z07 Package	Z07	requires CFZ or CFV	-	-	€ 11.325	-	-	€ 11.325
Performance Brembo® carbon ceramic brakes	J57		-	-	P	-	-	P
Z07 Suspension with Magnetic Selective Ride Control™	FE7		-	-	P	-	-	P
Metallic Gray-painted brake calipers	J6D		-	-	P	-	-	P
275/30ZR20 front and 345/25ZR21 rear Michelin® Pilot® Super Sport Cup 2R ultra-high performance summer-only tires	XFS		-	-	P	-	-	P
Carbon Flash-Painted carbon ground effects (splitter,rockers,high wing spoiler)	CFZ		-	-	€ 3.479	-	-	€ 3.479
Carbon Aero - Carbon Fiber, carbon-flash painted	T0F		-	-	P	-	-	P
Visible carbon ground effects (splitter, rockers, high wing spoiler)	CFV		-	-	€ 4.469	-	-	€ 4.469
Carbon Aero - Visible Carbon Fiber	T0G		-	-	P	-	-	P
Brembo Ceramic Brakes	J57		-	-	€ 7.949	-	-	€ 7.949

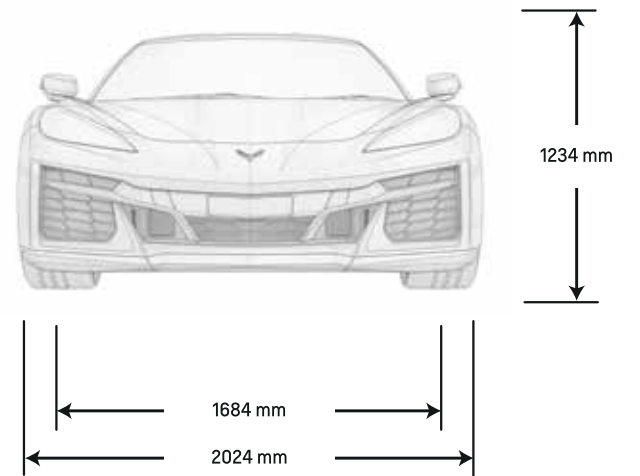
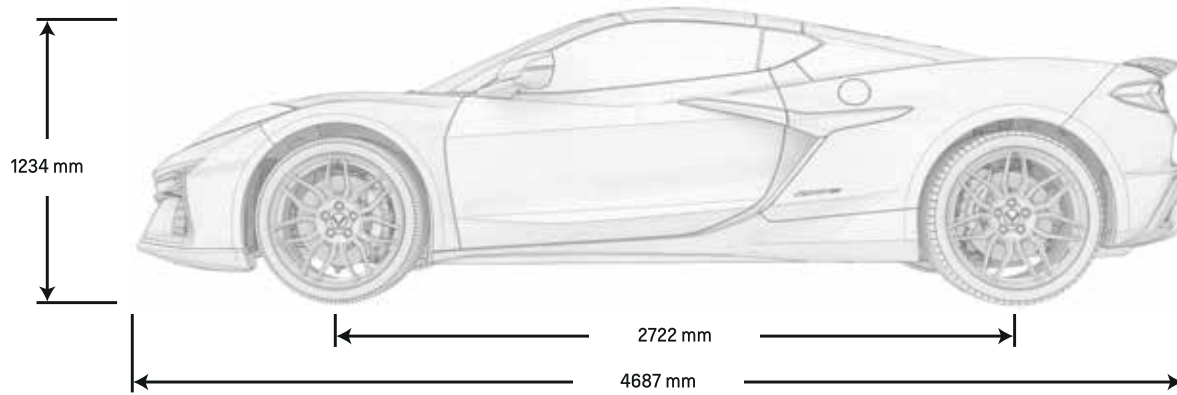
• Standard ○ Available - Not available P Packaged

DIMENSIONS

STINGRAY



Z06



Images show US configuration which might differ from the European version.

Label	STINGRAY 2LT, 3LT		Z06 3LZ		Z06 3LZ WITH Z07 PACKAGE	
	FRONT AXLE	REAR AXLE	FRONT AXLE	REAR AXLE	FRONT AXLE	REAR AXLE
Label						
Brand	MICHELIN	MICHELIN	MICHELIN	MICHELIN	MICHELIN	MICHELIN
Profile	PILOT SPORT 4 S	PILOT SPORT 4 S	PILOT SPORT 4 S	PILOT SPORT 4 S	PILOT SPORT CUP 2 R	PILOT SPORT CUP 2 R
Item number	343084	633769	120134	817754	94162	79946
Dimensions	245/35ZR19	305/30ZR20	275/30ZR20	345/25ZR21	275/30ZR20	345/25ZR21
Load index	89	99	97	104	97	104
Speed index	(Y)	(Y)	(Y)	(Y)	(Y)	(Y)
Fuel efficiency class	D	D	C	D	D	D
Wet grip class	C	D	A	D	D	D
Classification Rolling Noise	B	B	B	B	B	B
External Rolling Noise	70 dB	73 dB	71 dB	75 dB	73 dB	75 dB
Winter tires (3PMSF)	No	No	No	No	No	No
Winter tires for Ice	No	No	No	No	No	No
Start of production	21/14	21/14	32/15	32/15	48/20	48/20
End of production						
Version load index	SL	SL	XL	XL	XL	XL
QR Code						





